

Features

- Sub-miniature size
- Low inherent noise
- Low current drain
- Porting options

- 351-03 Model with port tube on major face
- 351-04 Model with port tube smallest end face

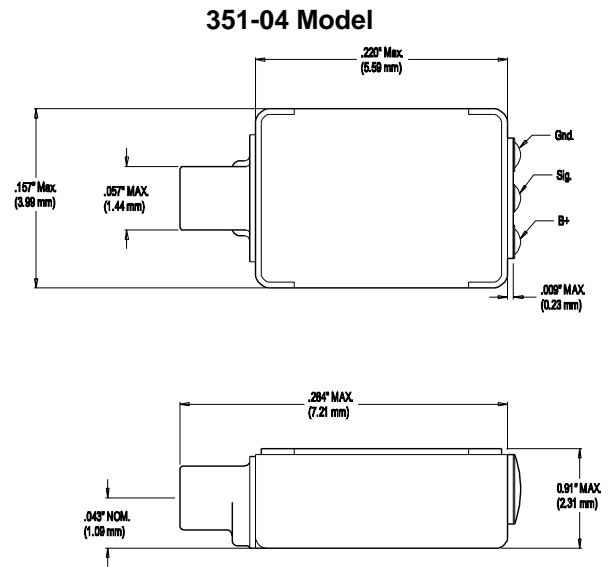
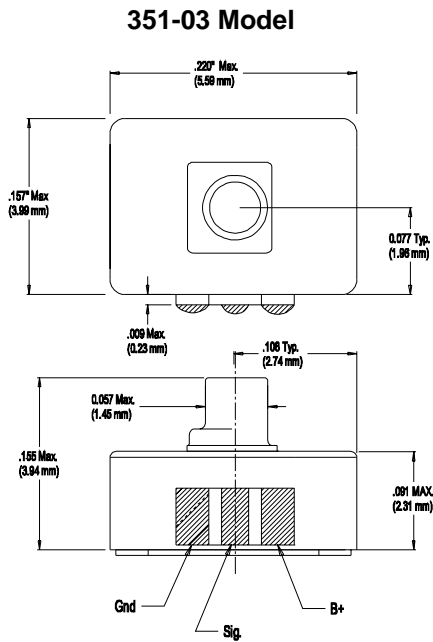


Performance Specifications

| | | | |
|------------------------------------|----------------------------------|----------------------|---|
| Sensitivity @ 1kHz | All Models | -52 | dB re 1 V/ μ bar |
| A-Weighted Noise | All Models | 21 25 | dB SPL Nominal (Sound Equiv.) dB SPL Maximum (Sound Equiv.) |
| Supply Voltage | -Nominal -Minimum -Maximum | 1.2 0.9 5.0 | Volts Volts(w/ 1dB change max.) Volts |
| Supply Current | -Nominal -Maximum | 18 50 | μ amps μ amps |
| Vibration Sensitivity | | <66 | dB SPL/g |
| DC Output Level | -Nominal -Minimum -Maximum | 0.5 0.3 0.8 | Volts (@ 1.2V Supply) Volts (@ 1.2V Supply) Volts (@ 1.2V Supply) |
| Power Supply Feed through | -Maximum | -10.0 | dB |
| Output Impedance | -Nominal -Minimum -Maximum | 3400 2200 5300 | Ohms Ohms Ohms |
| Resistance (Case to Ground) | -Maximum | 10 | Ohms |
| Overload Recovery Time | -Maximum | 50 | ms (to -6dB @23° C, 125 dB SPL Peak) |

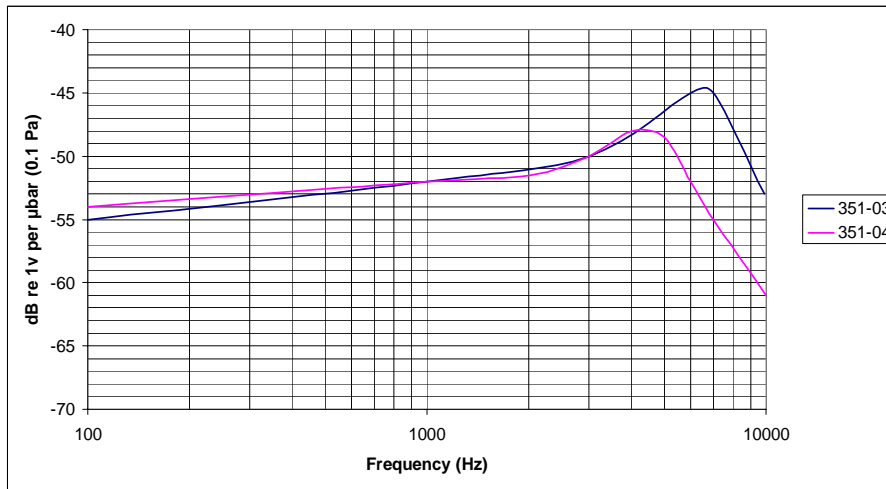
(1.2 Volt supply at 50% Relative Humidity and 23° Celsius except where specified otherwise)

Physical Dimensions



Frequency

Response



Sensitivity and Conformance

| Frequency (Hz) | 351-03 Microphone | | | | | 351-04 Microphone | | | | |
|----------------|-------------------|-------|-------|-----------------|-------|-------------------|-------|-------|-----------------|-------|
| | Sensitivity (dB) | | | Conformity (dB) | | Sensitivity (dB) | | | Conformity (dB) | |
| | Max. | Nom. | Max. | Min. | Max. | Max. | Nom. | Max. | Min. | Max. |
| -- | -- | -55.0 | -- | -5.0 | -1.0 | -- | -54.0 | -- | -5.0 | -1.0 |
| 1000 | -55.0 | -52.0 | -49.0 | -- | -- | -55.0 | -52.0 | -49.0 | -- | -- |
| ~4000 | -- | -- | -- | -- | -- | -- | -48.0 | -- | +0.0 | +8.0 |
| ~7000 | -- | -45.0 | -- | +5.0 | +13.0 | -- | -- | -- | -- | -- |
| 25,000 | -- | -- | -- | -- | -10.0 | -- | -- | -- | -- | -15.0 |

(Conformity values are relative to specific device performance at 1 kHz)