

Features

- Sub-miniature size (3.5 mm/0.140 in. dia.)
- Durable cylindrical design
- Low inherent noise
- Low current drain
- Frequency response options (standard, 6dB and 12dB)
- Porting options
 - Axial flush hole for cavity mounting (251-0x)
 - Port tube for use with acoustical tubing (251-1x)



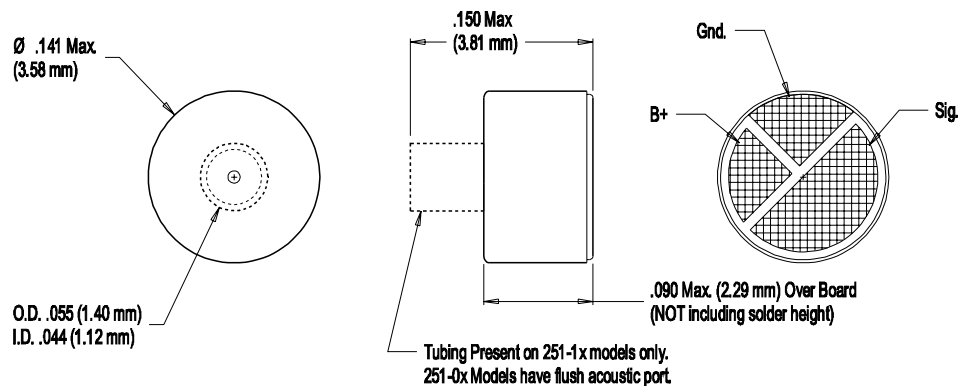
251-10 & 251-01 Models

Performance Specifications

Sensitivity @ 1kHz	251-01, -10	-57.0	dB re 1 V/ μ bar
A-Weighted Noise	251-01, -10	27 31	dB SPL Nominal (Sound Equiv.) dB SPL Maximum (Sound Equiv.)
Supply Voltage	-Nominal -Minimum -Maximum	1.3 0.9 5	Volts Volts (w/ 1 dB change max.) Volts
Supply Current	-Nominal -Maximum	15 35	μ amps μ amps
Vibration Sensitivity		<66	dB SPL/g
Output Impedance	-Nominal -Minimum -Maximum	4400 3400 5400	Ohms Ohms Ohms
Sensitivity to Humidity		0.03	dB per % R.H. @ 1kHz

(1.3 Volt supply at 50% Relative Humidity and 23° Celsius except where specified otherwise)

Physical Dimensions

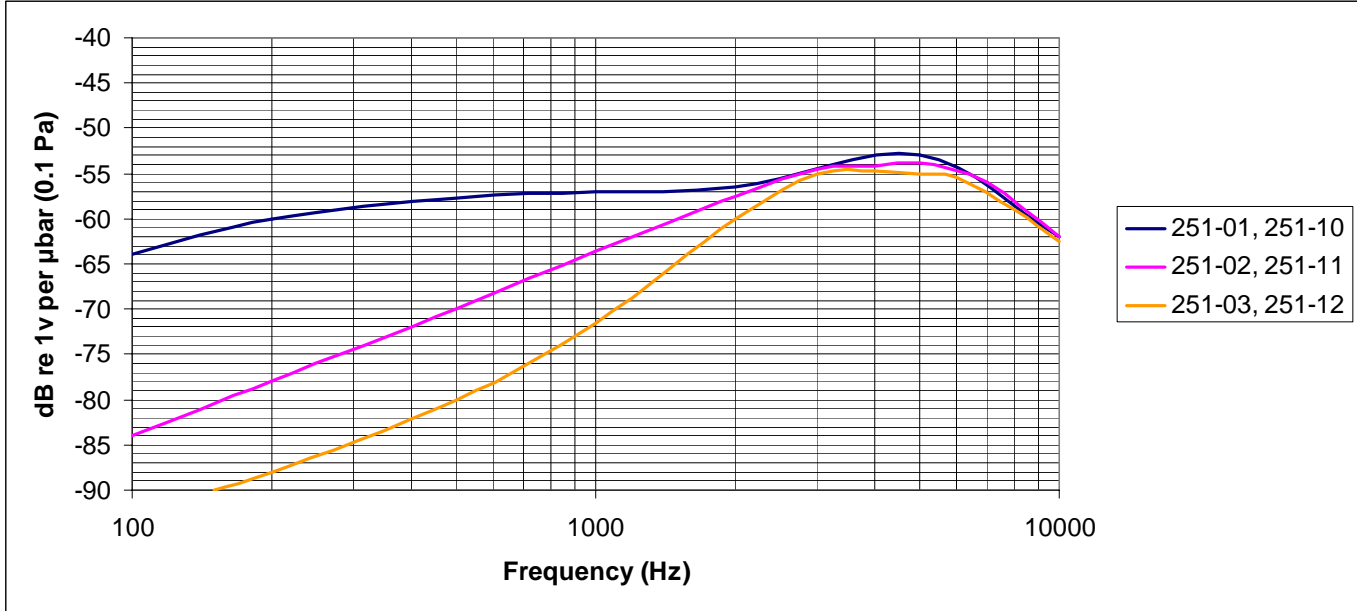


251 Series

Technical Data Sheet (cont.)

Frequency Response

251 Series Microphones are available with various frequency response options. These frequency response variants are available with or without port tubes. They offer the same electrical and physical characteristics as standard products and differ only in frequency response as shown below.



251-01, 251-10

Freq (Hz)	Sensitivity			Unit Conformity	
	Min.	Nom.	Max	Diff. from 1 kHz	
100	-	-64.0	-	-10.0	-4.0
1000	-60.0	-57.0	-54.0	-	-
~5000	-	-53.0	-	+1.0	+7.0
10000	-59.0	-56.0	-53.0	-	-

251-02, 251-11

Freq (Hz)	Sensitivity			Unit Conformity	
	Min.	Nom.	Max	Diff. from 500 Hz	
500	-73.0	-70.0	-67.0	-	-
~5000	-	-54.0	-	+13.0	+19.0
6000	-59.0	-56.0	-53.0	-	-

251-03, 251-12

Freq (Hz)	Sensitivity			Unit Conformity	
	Min.	Nom.	Max	Diff. from 500 Hz	
500	-83.0	-80.0	-77.0	-	-
~5000	-	-55.0	-	+21.0	+29.0
6000	-59.0	-56.0	-53.0	-	-